



Krafter's Land
Framed Cabinet



Krafter's Land

One-stop shop for a kitchen or bath remodel.

1201 Andover Park E, Suite 103, Tukwila WA 98188

206-809-6339 info@kraftersland.com

We truly believe that having a kitchen both functional and aesthetic is the dream for most homeowners and even those living in rental spaces. At Krafter's Land, our mission is to improve the living quality of our customers' life through intelligent designs and durable products.

Krafter's Land Cabinetry Inc was founded in Seattle, USA in 2020, and our goal is growing into one of the largest international kitchen remodel suppliers. As a leading supplier, we will have numerous manufacturing distributors across the whole country. By developing one of the largest wholesaling networks to provide the fastest supply turnaround time for all customers.

We are fully committed to working with all customers to satisfy their needs and exceed their expectations. Krafter's Land focuses on providing an affordable solution for your kitchen and bath remodeling needs by selling top notch products and providing excellent customer service.

Our products include cabinets, quartz stones, flooring, shower door, mosaic, faucets and sinks etc. Over the years, we've built trust with our customers because we reflect the craftsmanship and quality in our brand product that we would want in our own homes. We continually strive to strengthen that confidence in all products.

Cabinet Warranty

5-Year Limited

Krafter's Land Cabinetry, Inc warrants to the original consumer purchaser that cabinetry, door hinges, and drawer glides will be free from defects in material and workmanship under normal use and service for a period of 5 years from purchase date (Proof of Purchase is required). This warranty is extended to the original purchasing consumer only for use of the product within the United States and is not transferrable. No changes or modifications can be made to this warranty except by an officer of Krafter's Land Cabinetry, Inc.

This warranty does not cover normal wear and tear, damage or defects caused by accidents, misuse, abuse, or lack of necessary maintenance; nor does it cover alteration, modification, improper installation, improper handling / storage, environmental conditions, nor any labor expenses.

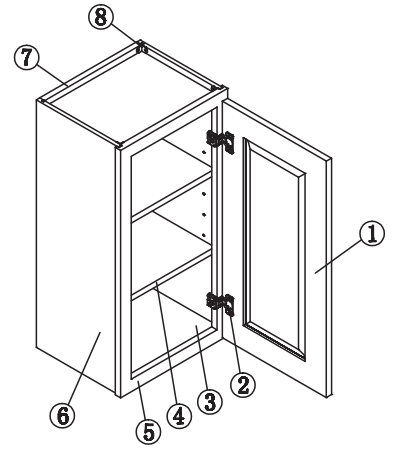
Vendor, at our option, may elect to repair or replace with a functionally equivalent product any product covered by this warranty. Some replacement parts are subject to availability and may differ from original parts received. Return of defective product may be required for a replacement to be issued. Repair parts or replacement parts are at the expense of the vendor, but customer shall bear all other expenses. These expenses may include, but are not limited to, cost of removal and reinstallation of product, labor expenses, etc. Further, we reserve the right to modify or alter any Product design, specifications or materials without obligation to make similar changes to Products previously manufactured or sold by Us.

Just as no two trees are alike, no two pieces of wood are alike. The variation in color and grain pattern in wood adds to its natural beauty and is not considered an imperfection. Environmental factors, including but not limited to artificial / natural light, moisture, cleaners, smoke, etc., may cause the darkening or mellowing of a cabinet over time. This is a natural process and can be expected. This warranty does not cover the natural aging or darkening / mellowing of wood color, the inherent growth characteristics of, or variation in wood.

No dealer, agent, contractor, or installer has any right to change or extend the above warranty. These warranty statements only, are the expressed warrants extended by Krafter's Land Cabinetry Inc. In lieu of any other warranties, this warranty shall constitute the entire liability of Krafter's Land Cabinetry Inc. All styles, finishes, hardware, and specifications are also subject to change without prior notice. Krafter's Land Cabinetry Inc. is not responsible for any typographical errors.

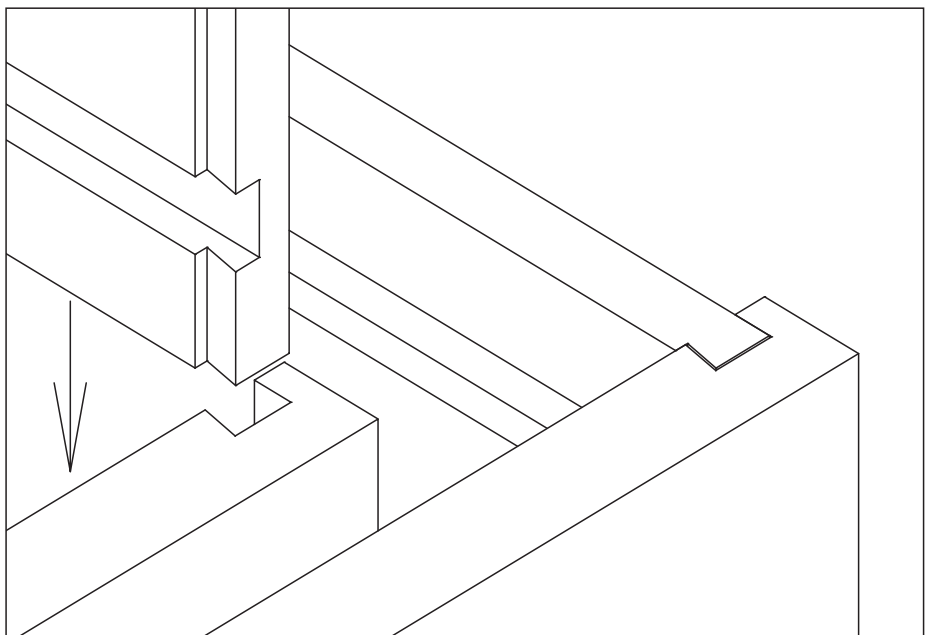
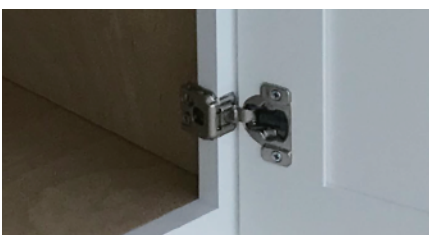
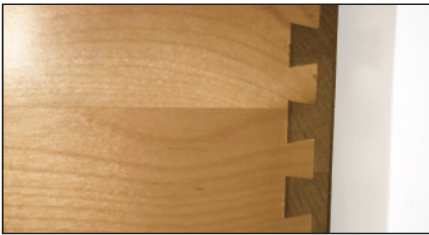
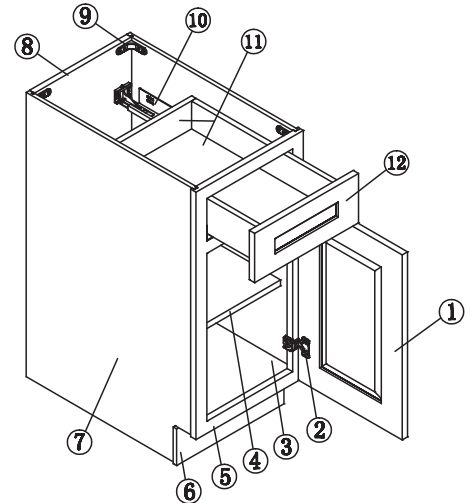
Wall Cabinet

- 1. **Door:** Partial Overlay Cabinet Door. Solid wood rail and stile, MDF center core.
- 2. **Hinge:** DTC fully concealed Six-Way adjustable soft-close hinges.
- 3. **Bottom Panel:** 1/2" thick plywood.
- 4. **Full-Depth shelf:** adjustable 3/4" thick plywood with metal shelf pins.
- 5. **Face Frame:** 3/4" thick, 1 1/2" wide solid wood.
- 6. **Side panel:** 1/2" thick plywood with dovetail slide-on structure.
- 7. **Back Panel:** 1/2" thick plywood.
- 8. **Corner bracket:** Durable metal corner bracket to secure the cabinet box.



Base Cabinet

- 1. **Door:** Solid wood rail and stile, MDF center core.
- 2. **Hinge:** DTC fully concealed Six-Way adjustable soft-close hinges.
- 3. **Bottom Panel:** 1/2" thick plywood.
- 4. **21" Depth shelf:** Adjustable 3/4" thick plywood with metal shelf pins.
- 5. **Face Frame:** 3/4" thick, 1 1/2" wide solid wood.
- 6. **Toe Kick:** 1/2" thick plywood.
- 7. **Side panel:** 1/2" thick plywood with dovetail slide-on structure.
- 8. **Back Panel:** 1/2" thick plywood.
- 9. **Corner bracket:** Durable metal corner bracket to secure the cabinet box.
- 10. **Drawer glides:** Full extension six-way adjustable soft-close slides.
- 11. **Drawer box:** 5/8" solid wood dovetailed drawer box.
- 12. **Drawer Front:** Solid wood Drawer front.





Krafter's Land

Cabinets | Stone | Flooring



TIMELESS ELEGANCE UNBEATABLE VALUE

Enduring Quality, Easy and Durable Structure,
Smooth Finishing

Discover our new White Dove Shaker Framed Cabinets — the perfect blend of modern sophistication and lasting style. Engineered for quality and priced competitively, these cabinets offer a durable, classic look that never goes out of fashion. Ideal for contractors and dealers seeking premium, timeless cabinetry at a smart price. Elevate your projects with confidence and style that stands the test of time.

www.kraftersland.com





- A. Door - 3/4" HDF door frame + 5/16" MDF center panel, 5-Pieces construction, Full overlay**
- B. Face Frame - 3/4" thickness × 1 1/2" width solid wood**
- C. Drawer Front - 3/4" HDF**
- D. Box Side Panel - Panel made of 1/2" thickness plywood**
- E. Box Bottom & Top Panel - Panel made of 1/2" thickness plywood**
- F. Box Back Panel - Panel made of 1/5" thickness plywood and 1/2" thickness frame**
- G. Adjustable Shelves - full depth panel made of 3/4" plywood**
- H. Drawer Box - 5/8"thickness solid wood with dovetail construction**
- I. Hinges - Six-way adjusted soft closing hinge**
- J. Glide - Full Extension Undermount Soft Closing Glide**
- K. Toe Kick - Panel made of 1/2" thickness plywood**

Contact us

Krafter's Land Cabinetry Inc (Tukwila)

☎ (206) 809-6339

✉ Info@kraftersland.com

📍 1201 Andover Park E Suite 103,
Tukwila, WA 98188

Krafter's Land Cabinetry Inc (Tacoma)

☎ (206) 866-0080

✉ Tacoma@kraftersland.com

📍 6818 Tacoma Mall Blvd, Tacoma,
WA 98409

Krafter's Land Cabinetry Inc (Lynnwood)

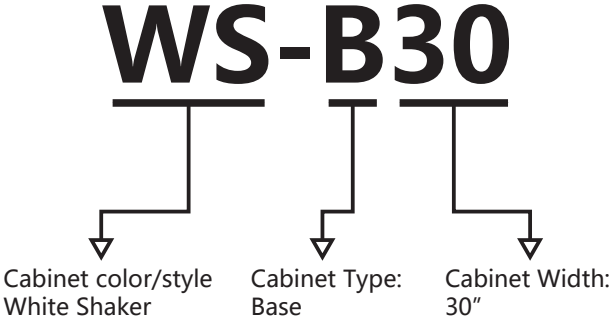
☎ (425) 689-3660

✉ Lynnwood@kraftersland.com

📍 5710 196th St SW, Lynnwood,
WA 98036

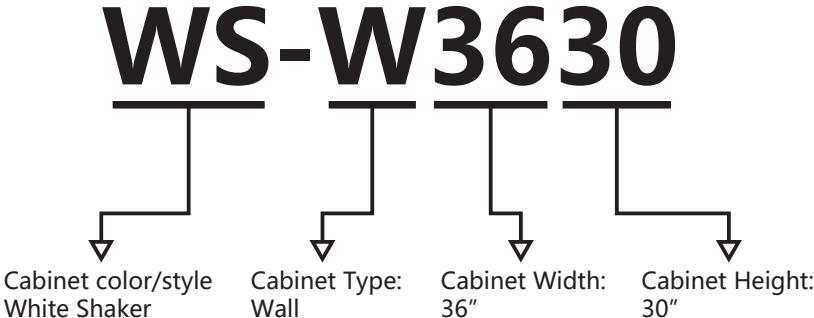
Base Cabinet Coding:

- 1. Standard base cabinets are 24" deep & 34 ¼" high.
- 2. Standard vanity base cabinets are 21" deep & 34 ¼" high.
- 3. Add door thickness for total depth.
- 4. All framed boxes are finished. No additional panels are needed for the exposed side.



Wall Cabinet Coding:

- 1. Standard wall cabinets are 12" deep.
- 2. Standard Refrigerator wall cabinets are 12" or 24" deep.
- 3. Add door thickness for total depth.
- 4. All framed boxes are finished. No additional panels are needed for the exposed side.





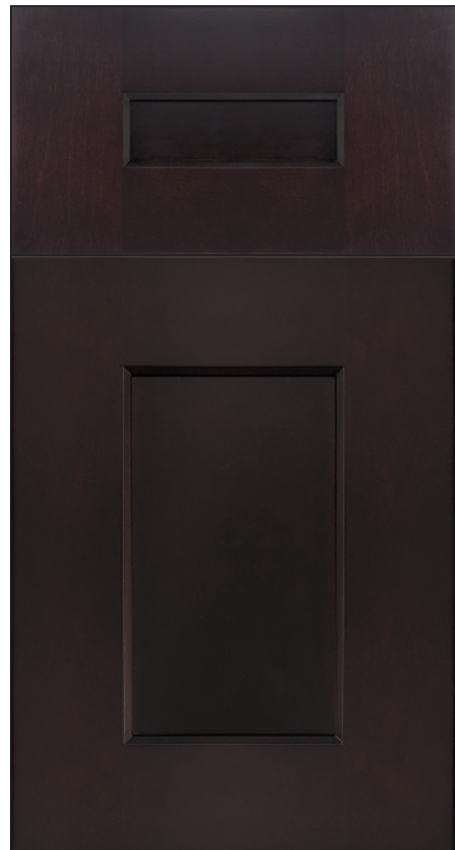
White Shaker (WS)



Blue Shaker (BS)



Grey Shaker (GS)



Espresso Shaker (ES)



Iron Shaker (IS)



Desert Cloud (DC)



Metallic White (MW)



Metallic Grey (MG)



Maga Sage (MS)



Natural Shaker (NS)



White Oak (KWO)



White Dove (WD)



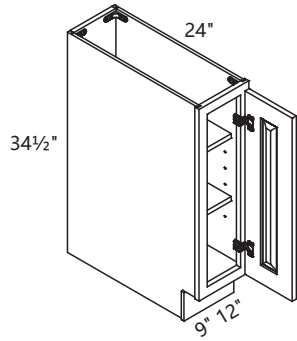
Lava Grey Shaker (LS)



Charcoal Shaker (CS)

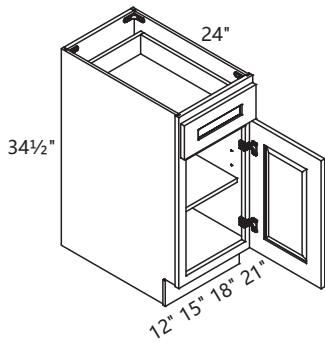
Reserve only

Base Full Door Cabinet



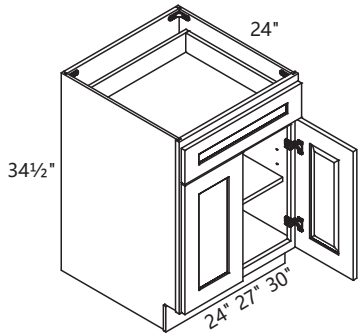
Item	W	H	D
B09FH	9	34½	24
B12FH	12	34½	24

Base Cabinet



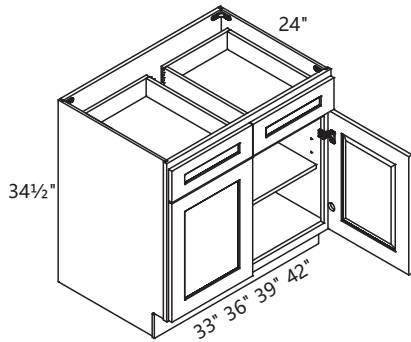
B12, B15, B18, B21

Item	W	H	D
B12	12	34½	24
B15	15	34½	24
B18	18	34½	24
B21	21	34½	24



B24, B27, B30

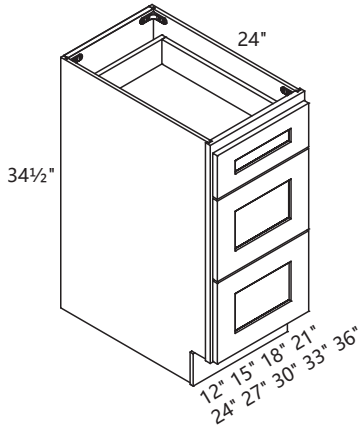
B24	24	34½	24
B27	27	34½	24
B30	30	34½	24



B33, B36, B39, B42

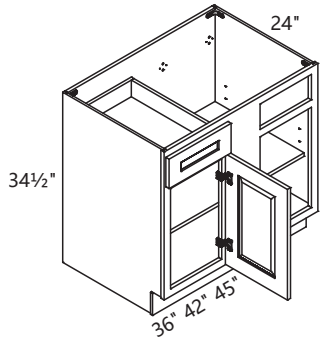
B33	33	34½	24
B36	36	34½	24
B39	39	34½	24
B42	42	34½	24

3-Drawers Base Cabinet



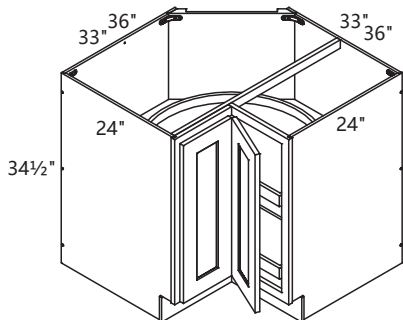
Item	W	H	D
3DB12	12	34½	24
3DB15	15	34½	24
3DB18	18	34½	24
3DB21	21	34½	24
3DB24	24	34½	24
3DB27	27	34½	24
3DB30	30	34½	24
3DB33	33	34½	24
3DB36	36	34½	24

Base Blind Corner Cabinet



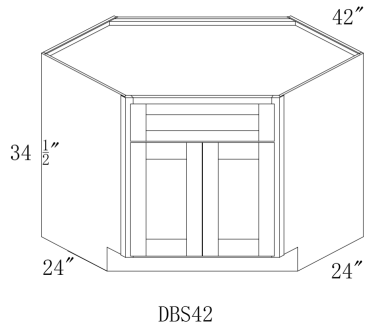
Item	W	H	D
BBC36	36	34½	24
BBC42	42	34½	24
BBC45	45	34½	24

Base Lazy Susan Cabinet



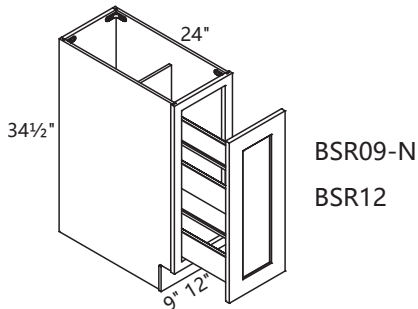
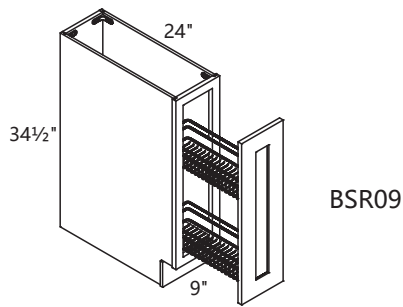
Item	W	H	D
BLS33	33	34½	24
BLS36	36	34½	24

Diagonal Sink Base Cabinet



Item	W	H	D
DSB36	36	34½	24
DSB42	42	34½	24

Base Spice Rack Cabinet



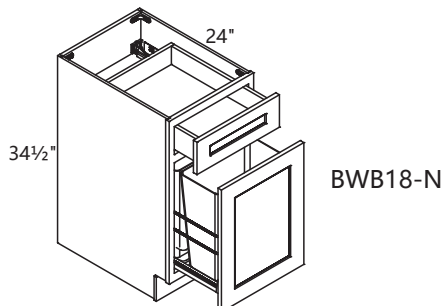
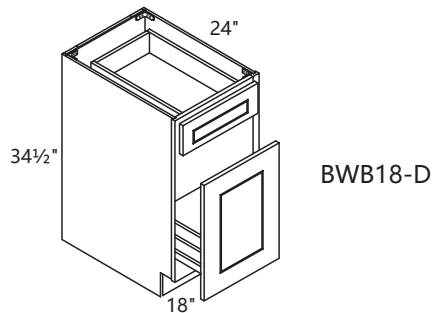
Item	W	H	D
BSR09	9	34½	24

BSR09 metal drawer and door are pre-assembled with box.

BSR09-N	9	34½	24
BSR12	12	34½	24

BSR09-N BSR12 plywood drawer and door are pre-assembled with box.

Base Waste Basket Cabinet



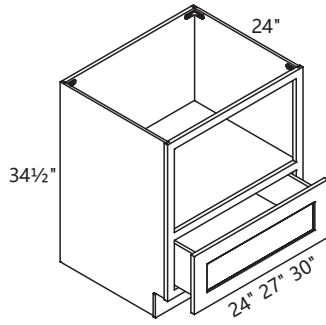
Item	W	H	D
BWB18-D	18	34½	24

BWB18-D pul-out metal drawer with two 20 quart waste bins.

BWB18-N	18	34½	24
---------	----	-----	----

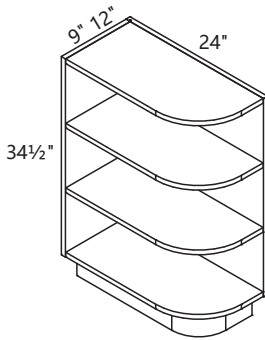
BWB18-N pull-out wooden drawer with two 20 quart waste bins.

Base Microwave Cabinet



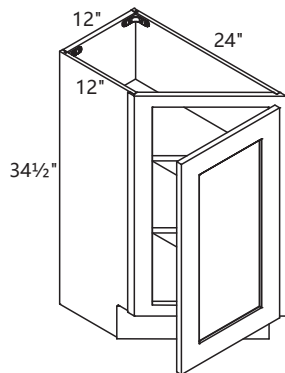
Item	W	H	D
BMC24	24	34½	24
BMC27	27	34½	24
BMC30	30	34½	24

Base Open End Cabinet



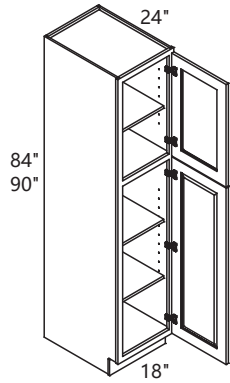
Item	W	H	D
BOE09	9	34½	24
BOE12	12	34½	24

Base End Corner Cabinet

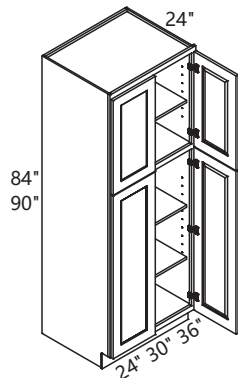


Item	W	H	D
BEC24-L	12	34½	24
BEC24-R	12	34½	24

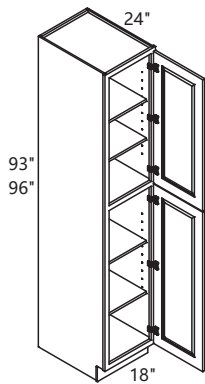
Pantry Cabinet



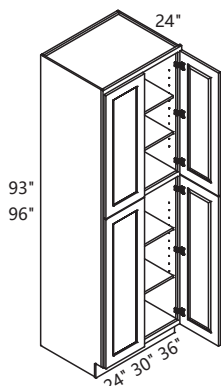
PC1884 , PC1890



PC2484 , PC3084 , PC3684
PC2490 , PC3090 , PC3690

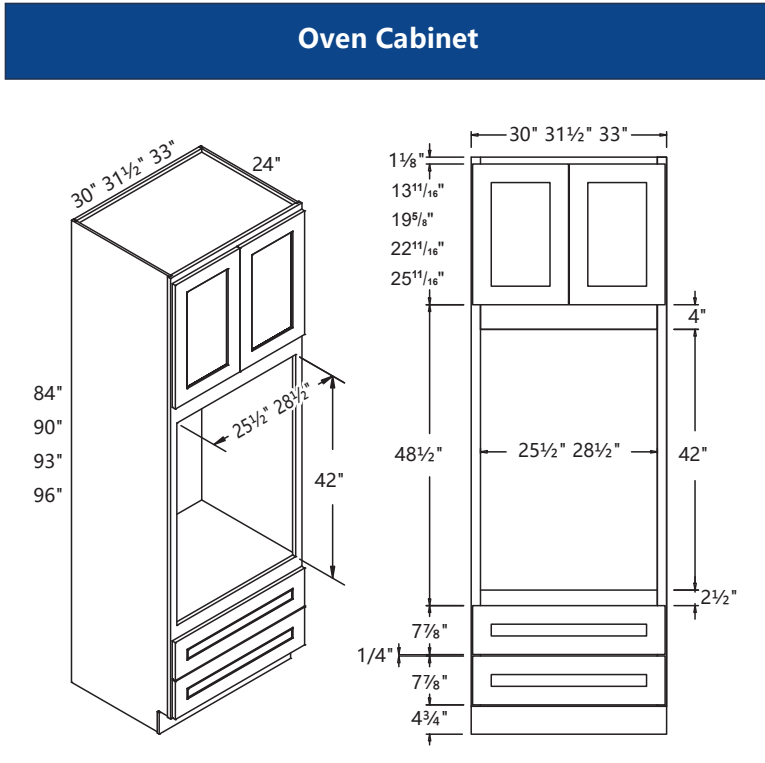


PC1893 , PC1896

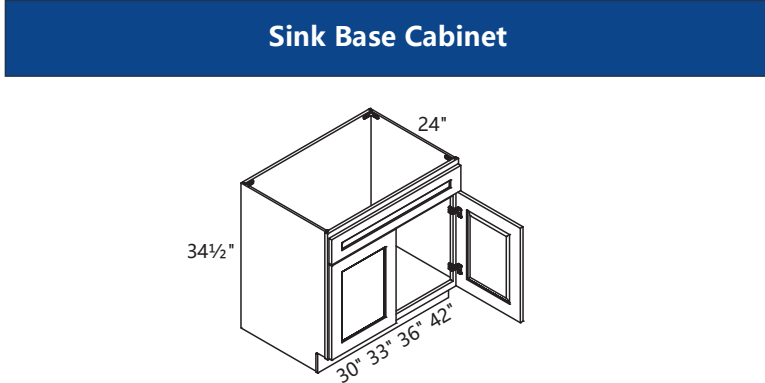


PC2493 , PC3093 , PC3693
PC2496 , PC3096 , PC3696

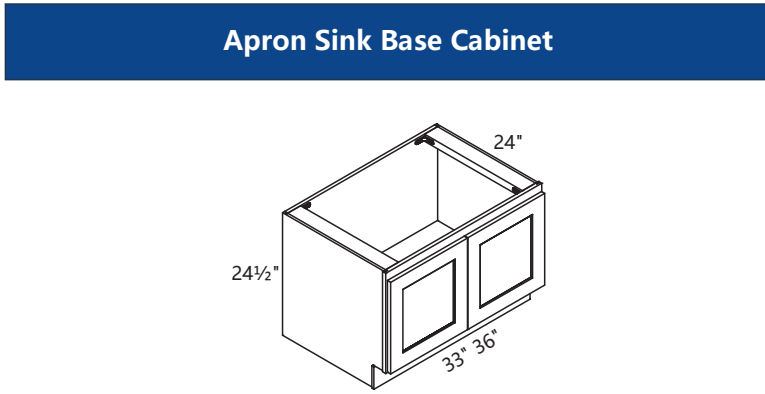
Item	W	H	D
PC1884	18	84	24
PC2484	24	84	24
PC3084	30	84	24
PC3684	36	84	24
PC1890	18	90	24
PC2490	24	90	24
PC3090	30	90	24
PC3690	36	90	24
PC1893	18	93	24
PC2493	24	93	24
PC3093	30	93	24
PC3693	36	93	24
PC1896	18	96	24
PC2496	24	96	24
PC3096	30	96	24
PC3696	36	96	24



Item	W	H	D
OC3084	30	84	24
OC31.584	31½	84	24
OC3384	33	84	24
OC3090	30	90	24
OC31.590	31½	90	24
OC3390	33	90	24
OC31.593	31½	93	24
OC3096	30	96	24
OC31.596	31½	96	24
OC3396	33	96	24

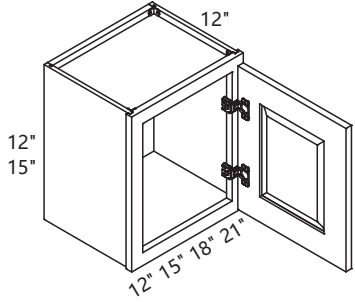


Item	W	H	D
SB30	30	34½	24
SB33	33	34½	24
SB36	36	34½	24
SB42	42	34½	24

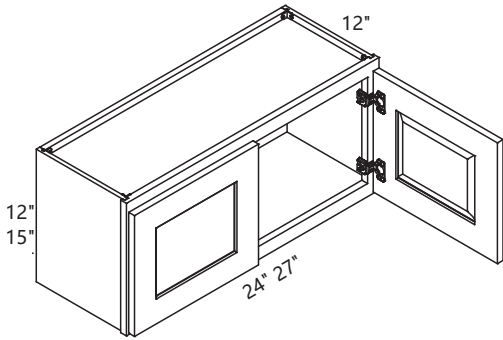


Item	W	H	D
FSB33-N	33	24½	24
FSB36-N	36	24½	24

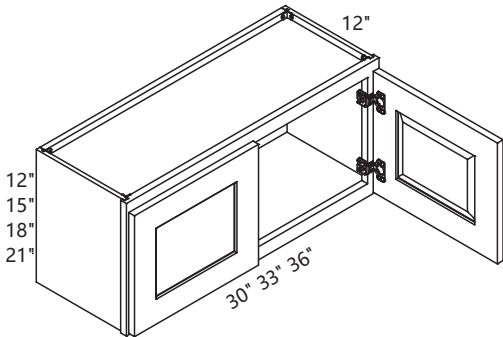
Wall Cabinet



W1212, W1512, W1812, W2112
W1215, W1515, W1815, W2115



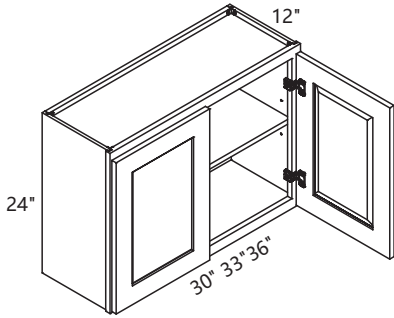
W2412, W2712, W2415, W2715



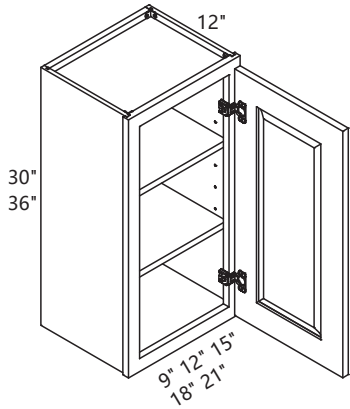
W3012, W3312, W3612, W3015
W3315, W3615, W3018, W3318
W3618, W3021, W3321, W3621

Item	W	H	D
W1212	12	12	12
W1512	15	12	12
W1812	18	12	12
W2112	21	12	12
W2412	24	12	12
W2712	27	12	12
W3012	30	12	12
W3312	33	12	12
W3612	36	12	12
W1215	12	15	12
W1515	15	15	12
W1815	18	15	12
W2115	21	15	12
W2415	24	15	12
W2715	27	15	12
W3015	30	15	12
W3315	33	15	12
W3615	36	15	12
W3018	30	18	12
W3318	33	18	12
W3618	36	18	12
W3021	30	21	12
W3321	33	21	12
W3621	36	21	12

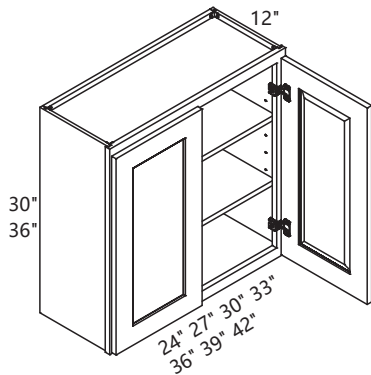
Wall Cabinet



W3024 , W3324 , W3624



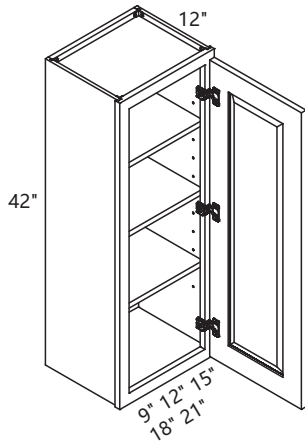
W0930 , W1230 , W1530 , W1830
W2130 , W0936 , W1236 , W1536
W1836 , W2136



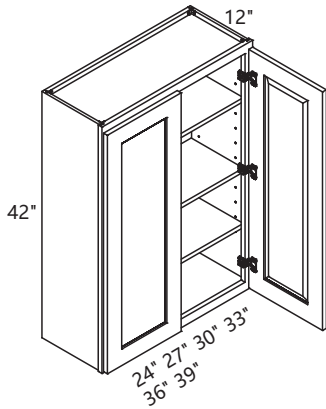
W2430 , W2730 , W3030 , W3330
W3630 , W3930 , W4230 , W2436
W2736 , W3036 , W3336 , W3636
W3936 , W4236

Item	W	H	D
W3024	30	24	12
W3324	33	24	12
W3624	36	24	12
W0930	9	30	12
W1230	12	30	12
W1530	15	30	12
W1830	18	30	12
W2130	21	30	12
W2430	24	30	12
W2730	27	30	12
W3030	30	30	12
W3330	33	30	12
W3630	36	30	12
W3930	39	30	12
W4230	42	30	12
W0936	9	36	12
W1236	12	36	12
W1536	15	36	12
W1836	18	36	12
W2136	21	36	12
W2436	24	36	12
W2736	27	36	12
W3036	30	36	12
W3336	33	36	12
W3636	36	36	12
W3936	39	36	12
W4236	42	36	12

Wall Cabinet



W0942 , W1242 , W1542
W1842 , W2142

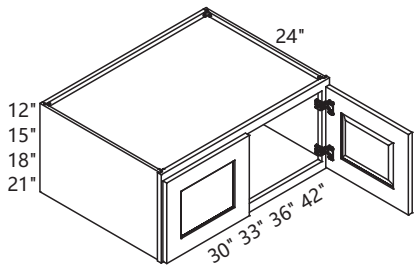


W2442 , W2742 , W3042
W3342 , W3642 , W3942

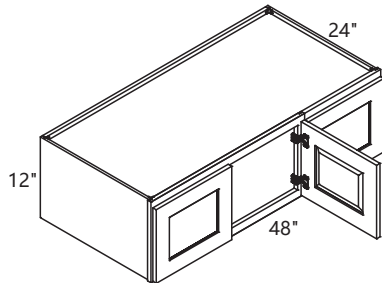
Item	W	H	D
W0942	9	42	12
W1242	12	42	12
W1542	15	42	12
W1842	18	42	12
W2142	21	42	12

W2442	24	42	12
W2742	27	42	12
W3042	30	42	12
W3342	33	42	12
W3642	36	42	12
W3942	39	42	12

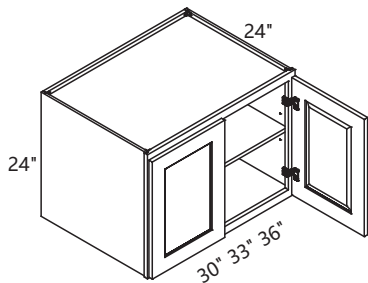
Refrigerator Wall Cabinet



W301224 , W331224 , W361224
 W421224 , W301524 , W331524
 W361524 , W301824 , W331824
 W361824 , W302124 , W332124
 W362124



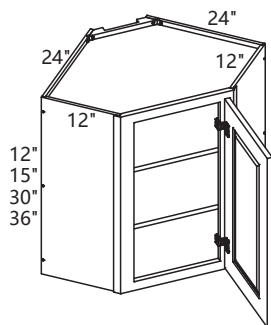
W481224



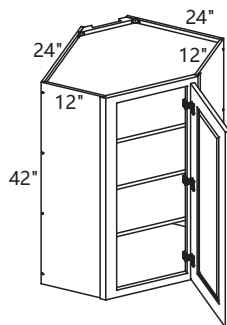
W302424 , W332424 , W362424

Item	W	H	D
W301224	30	12	24
W331224	33	12	24
W361224	36	12	24
W421224	42	12	24
W481224	48	12	24
W301524	30	15	24
W331524	33	15	24
W361524	36	15	24
W301824	30	18	24
W331824	33	18	24
W361824	36	18	24
W302124	30	21	24
W332124	33	21	24
W362124	36	21	24
W302424	30	24	24
W332424	33	24	24
W362424	36	24	24

Wall Diagonal Corner Cabinet



WDC2412 , WDC2415
 WDC2430 , WDC2436

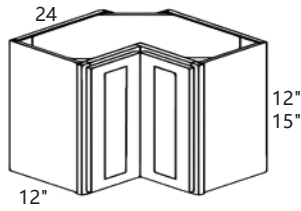


WDC2442

Item	W	H	D
WDC2412	24	12	12
WDC2415	24	15	12
WDC2430	24	30	12
WDC2436	24	36	12
WDC2442	24	42	12

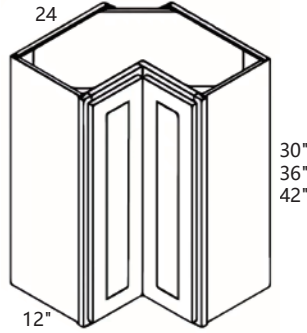
Cabinet shelves are not available for any cabinet height below 24".

Wall Easy Reach Cabinet



WER2412, WER2415, WER2412GD, WER2415GD

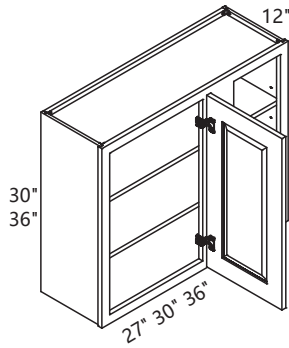
Item	W	H	D
WER2412	24	12	12
WER2415	24	15	12
WER2412GD	24	12	12
WER2415GD	24	15	12



WER2430, WER2436, WER2442

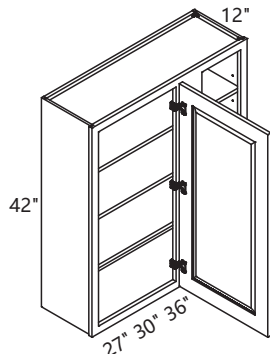
WER2430	24	30	12
WER2436	24	36	12
WER2442	24	42	12

Wall Blind Corner Cabinet



WBC2730, WBC3030, WBC3630
WBC2736, WBC3036, WBC3636

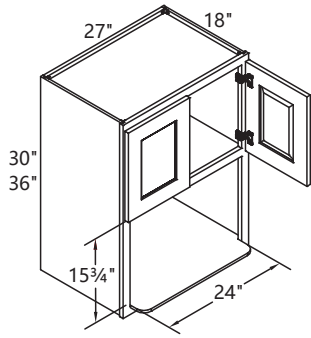
Item	W	H	D
WBC2730	27	30	12
WBC3030	30	30	12
WBC3630	36	30	12
WBC2736	27	36	12
WBC3036	30	36	12
WBC3636	36	36	12



WBC2742, WBC3042, WBC3642

WBC2742	27	42	12
WBC3042	30	42	12
WBC3642	36	42	12

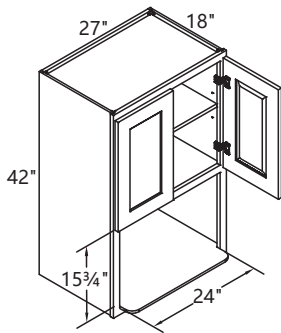
Wall Microwave Cabinet



WMC2730 , WMC2736

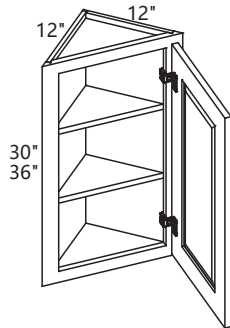
Item	W	H	D
WMC2730	27	30	18
WMC2736	27	36	18

WMC2742	27	42	18
---------	----	----	----



WMC2742

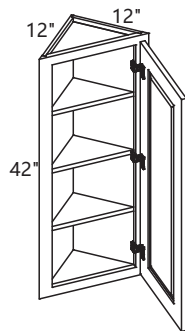
Wall End Angle Cabinet



WEA1230 , WEA1236

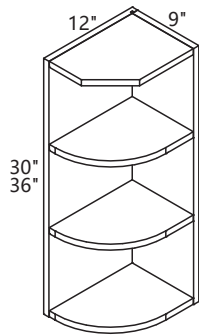
Item	W	H	D
WEA1230	12	30	12
WEA1236	12	36	12

WEA1242	12	42	12
---------	----	----	----



WEA1242

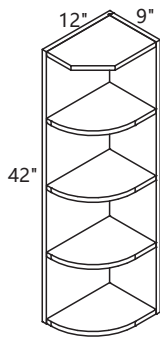
Wall End Shelves



WES0930 , WES0936

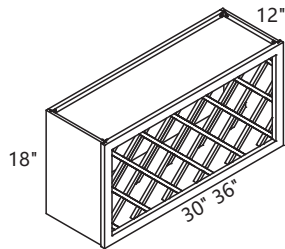
Item	W	H	D
WES0930	9	30	12
WES0936	9	36	12

WES0942	9	42	12
---------	---	----	----



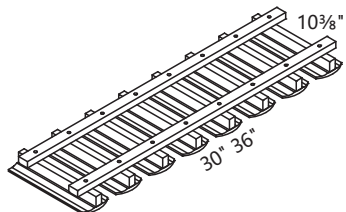
WES0942

Wall Wine Rack



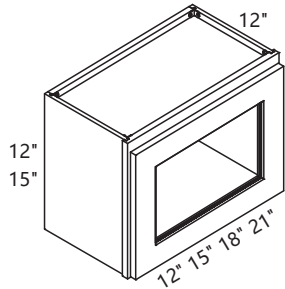
Item	W	H	D
WR3018	30	18	12
WR3618	36	18	12

Stem Glass Holder

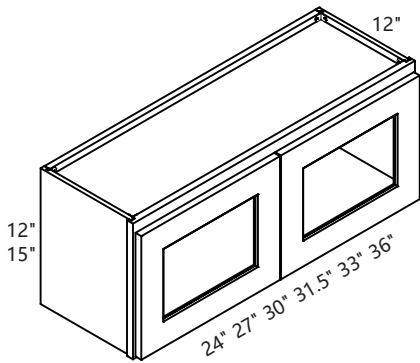


Item	W	D
SGH30	30	10 ³ / ₈
SGH36	36	10 ³ / ₈

Wall Glass Cabinet



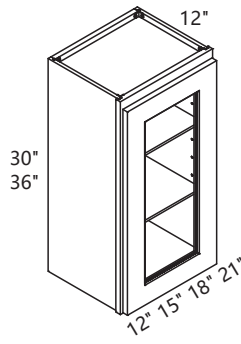
W1212GD , W1512GD , W1812GD
 W2112GD , W1215GD , W1515GD
 W1815GD , W2115GD



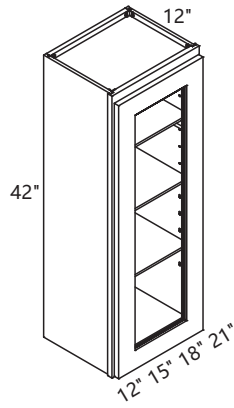
W2412GD , W2712GD , W3012GD
 W31.512GD , W3312GD , W3612GD
 W2415GD , W2715GD , W3015GD
 W31.515GD , W3315GD , W3615GD

Item	W	H	D
W1212GD	12	12	12
W1512GD	15	12	12
W1812GD	18	12	12
W2112GD	21	12	12
W2412GD	24	12	12
W2712GD	27	12	12
W3012GD	30	12	12
W3312GD	33	12	12
W3612GD	36	12	12
W1215GD	12	15	12
W1515GD	15	15	12
W1815GD	18	15	12
W2115GD	21	15	12
W2415GD	24	15	12
W2715GD	27	15	12
W3015GD	30	15	12
W3315GD	33	15	12
W3615GD	36	15	12

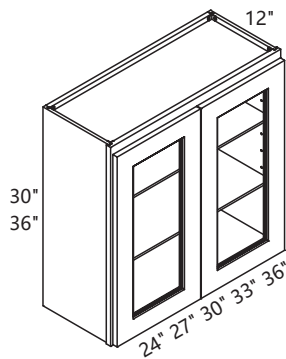
Wall Glass Cabinet



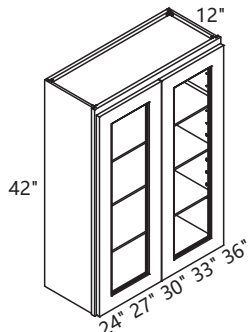
W1230GD, W1530GD, W1830GD, W2130GD
W1236GD, W1536GD, W1836GD, W2136GD



W1242GD, W1542GD, W1842GD, W2142GD



W2430GD, W2730GD, W3030GD
W3330GD, W3630GD, W2436GD
W2736GD, W3036GD, W3336GD
W3636GD

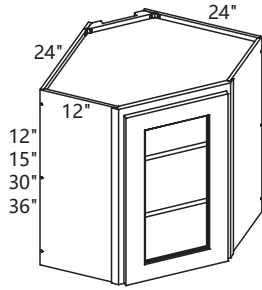


W2442GD, W2742GD, W3042GD
W3342GD, W3642GD

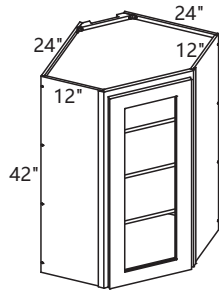
Item	W	H	D
W1230GD	12	30	12
W1530GD	15	30	12
W1830GD	18	30	12
W2130GD	21	30	12
W2430GD	24	30	12
W2730GD	27	30	12
W3030GD	30	30	12
W3330GD	33	30	12
W3630GD	36	30	12
W1236GD	12	36	12
W1536GD	15	36	12
W1836GD	18	36	12
W2136GD	21	36	12
W2436GD	24	36	12
W2736GD	27	36	12
W3036GD	30	36	12
W3336GD	33	36	12
W3636GD	36	36	12
W1242GD	12	42	12
W1542GD	15	42	12
W1842GD	18	42	12
W2142GD	21	42	12
W2442GD	24	42	12
W2742GD	27	42	12
W3042GD	30	42	12
W3342GD	33	42	12
W3642GD	36	42	12

Desert Cloud (DC) - glass door cabinet with wooden shelves; doors and cabinet body packed separately.

Wall Diagonal Corner Glass Cabinet



WDC2412GD , WDC2415GD
WDC2430GD , WDC2436GD



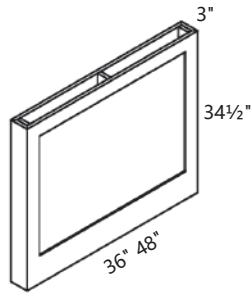
WDC2442GD

Item	W	H	D
WDC2412GD	24	12	12
WDC2415GD	24	15	12
WDC2430GD	24	30	12
WDC2436GD	24	36	12

WDC2442GD	24	42	12
-----------	----	----	----

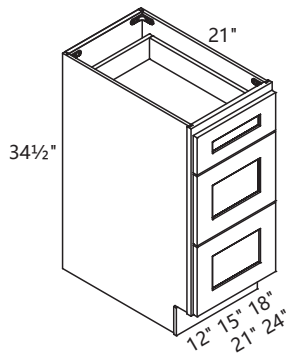
Cabinet shelves are not available for any cabinet height less than 24".

Island End Box



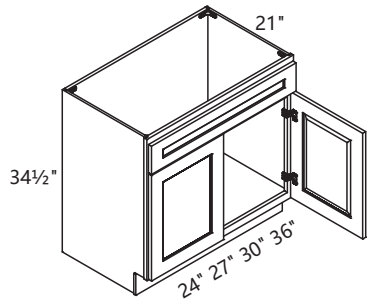
Item	W	H	D
IEB36	36	34½	3
IEB48	48	34½	3

Vanity 3-Drawers Base Cabinet



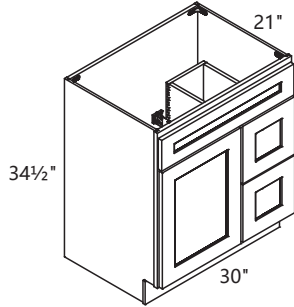
Item	W	H	D
VDB12-3	12	34½	21
VDB15-3	15	34½	21
VDB18-3	18	34½	21
VDB21-3	21	34½	21
VDB24-3	24	34½	21

Vanity Sink Base Cabinet



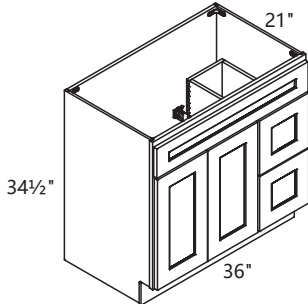
VSB24 , VSB27
VSB30 , VSB36

Item	W	H	D
VSB24	24	34½	21
VSB27	27	34½	21
VSB30	30	34½	21
VSB36	36	34½	21



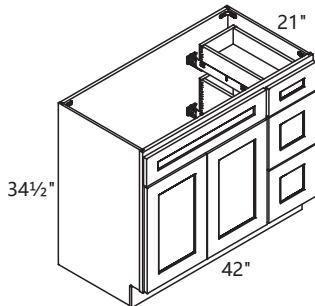
VSD30-L
VSD30-R

VSD30-L	30	34½	21
VSD30-R	30	34½	21



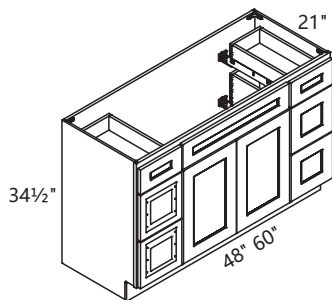
VSD36-L
VSD36-R

VSD36-L	36	34½	21
VSD36-R	36	34½	21



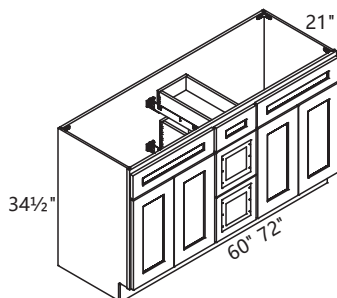
VSD42-L
VSD42-R

VSD42-L	42	34½	21
VSD42-R	42	34½	21



VSD48-6D
VSD60-6D

VSD48-6D	48	34½	21
VSD60-6D	60	34½	21

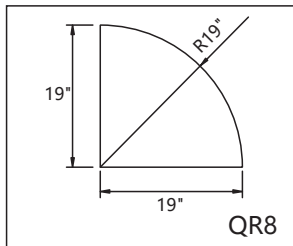
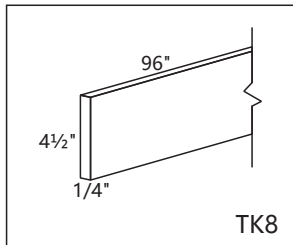
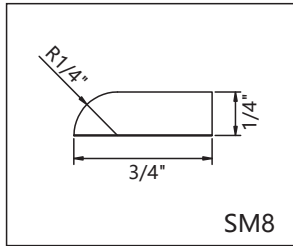
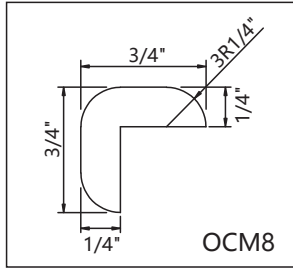


VSD60-3D
VSD72-3D

VSD60-3D	60	34½	21
VSD72-3D	72	34½	21

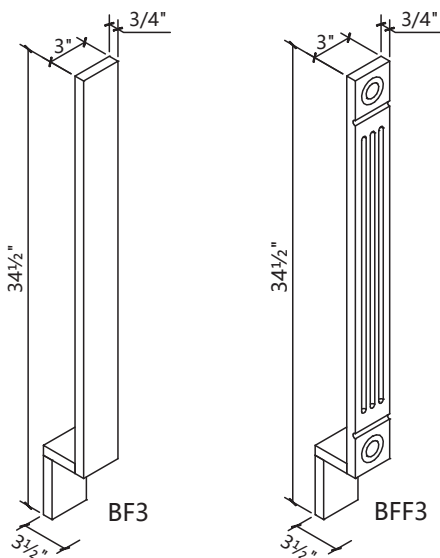
L and R represent the position of the drawers.

Trim



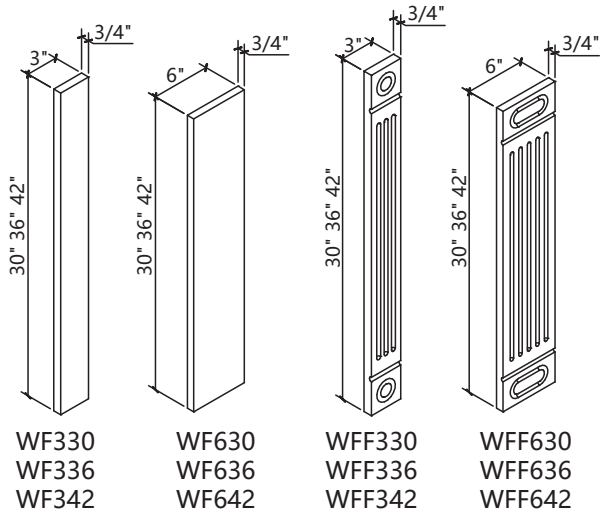
Item	W	H	D
OCM8	3/4	96	3/4
SM8	3/4	96	1/4
TK8	4½	96	1/4
QR8	3/4	96	3/4

Base Cabinet Filler



Item	W	H	D
BF3	3	34½	3½
BFF3	3	34½	3½

Wall Filler



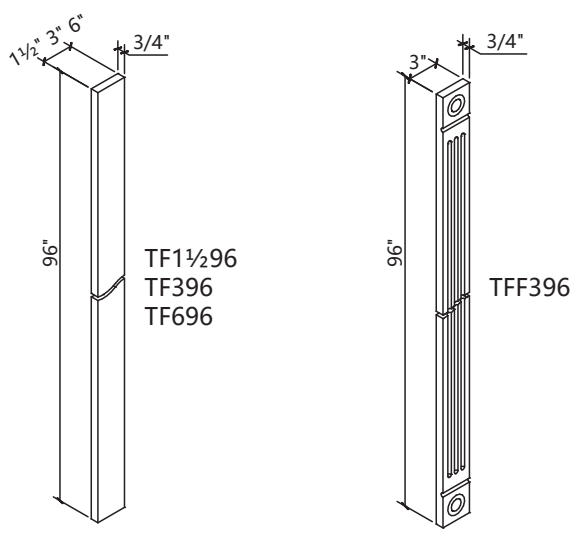
Item	W	H	D
WF330	3	30	3/4
WF336	3	36	3/4
WF342	3	42	3/4

WF630	6	30	3/4
WF636	6	36	3/4
WF642	6	42	3/4

WFF330	3	30	3/4
WFF336	3	36	3/4
WFF342	3	42	3/4

WFF630	6	30	3/4
WFF636	6	36	3/4
WFF642	6	42	3/4

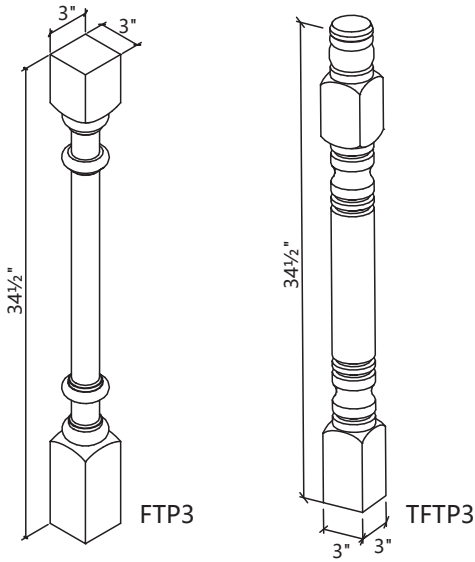
Tall Filler



Item	W	H	D
TF1.596	1½	96	3/4
TF396	3	96	3/4
TF696	6	96	3/4

TFF396	3	96	3/4
--------	---	----	-----

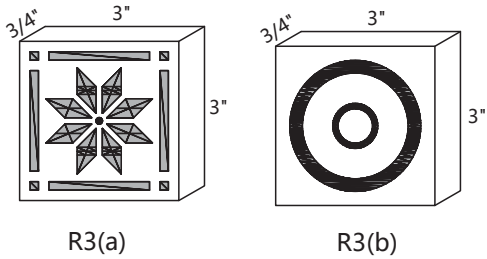
Post



Item	W	H	D
FTP3	3	34½	3
TFTP3*	3	34½	3

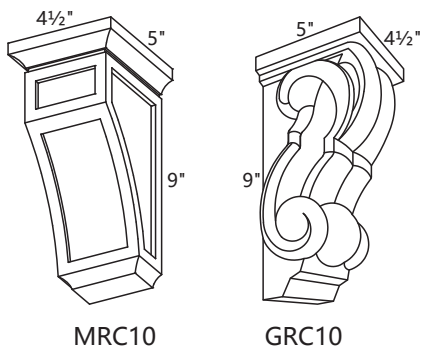
The specifications marked with * need to be reserved.

Rosette Block



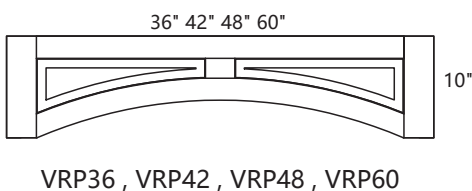
Item	W	H	D
R3(a)	3	3	3/4
R3(b)	3	3	3/4

Corbel



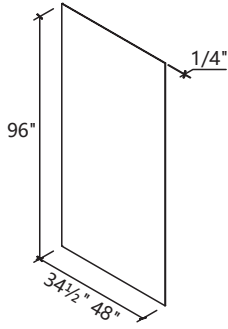
Item	W	H	D
MRC10	4½	9	5
GRC10	4½	9	5

Valance Raised Panel

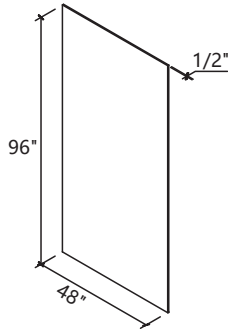


Item	W	H
VRP36	36	10
VRP42	42	10
VRP48	48	10
VRP60	60	10

Panel	Item	W	H	D
-------	------	---	---	---



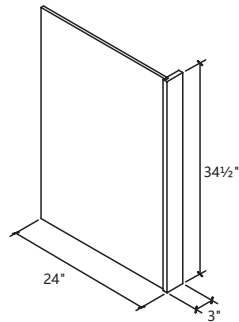
PNL96x34 1/2x1/4
PNL96x48x1/4



PNL96x48x1/2

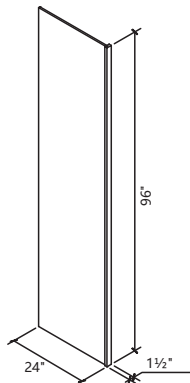
PNL96x34 1/2x1/4	96	34 1/2	1/4
PNL96x48x1/4	96	48	1/4
PNL96x48x1/2	96	48	1/2

Dishwasher End Panel	Item	W	H	D
----------------------	------	---	---	---

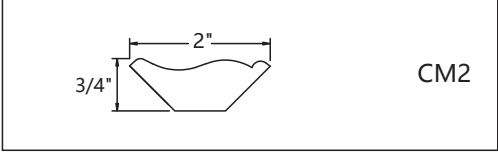
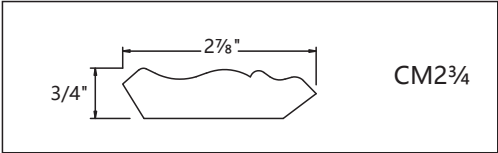
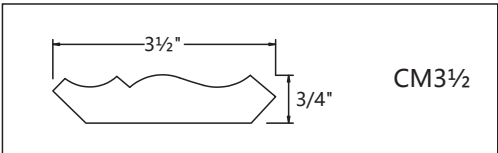
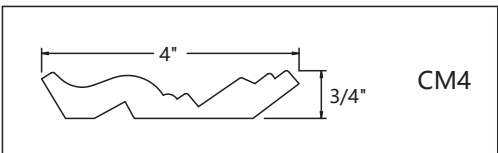
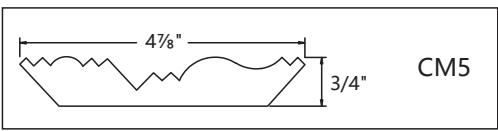
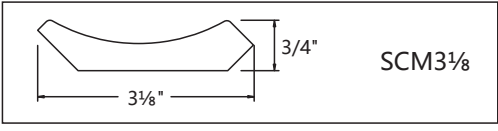
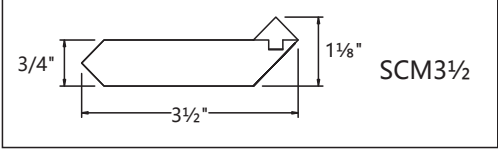
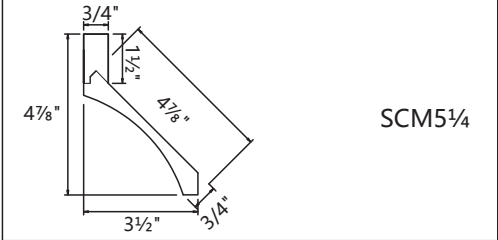
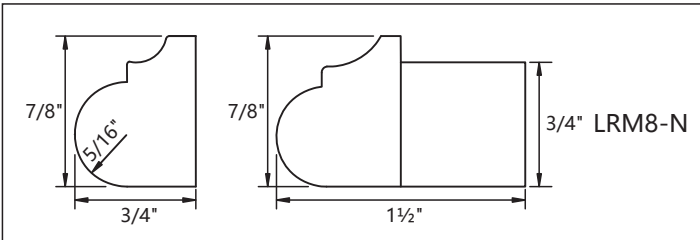


DEP3	3	34 1/2	24
------	---	--------	----

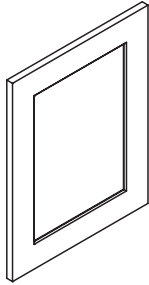
Refrigerator End Panel	Item	W	H	D
------------------------	------	---	---	---



REP9624	1.5	96	24
---------	-----	----	----

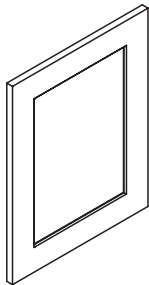
Moldings		Item	W	H	D
	CM2	CM2	2	96	3/4
	CM2 3/4	CM2 3/4	2 7/8	96	3/4
	CM3 1/2	CM3 1/2	3 1/2	96	3/4
	CM4	CM4	4	96	3/4
	CM5	CM5	4 7/8	96	3/4
	SCM3 1/8	SCM3 1/8	3 1/8	96	3/4
	SCM3 1/2	SCM3 1/2	3 1/2	96	1 1/8
	SCM5 1/4	SCM5 1/4	3 1/2	96	3 1/2
	LRM8-N	LRM8-N	1 1/2	96	7/8

Wall Cabinet Dummy Door



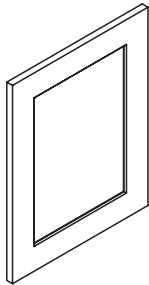
WDD1230	12	30
WDD1236	12	36
WDD1242	12	42

Base Cabinet Dummy Door



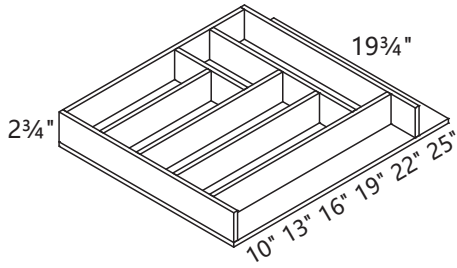
Item	W	H
BDD24	24	24

Sample Door



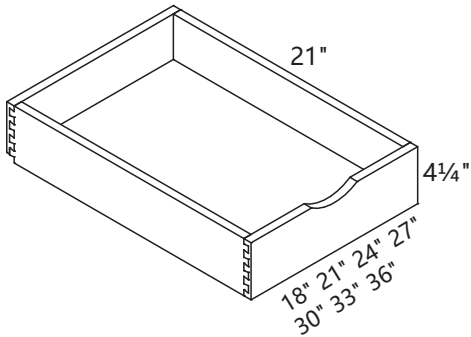
Item	W	H
SD1215	12	15

Base Multifunctional Drawer



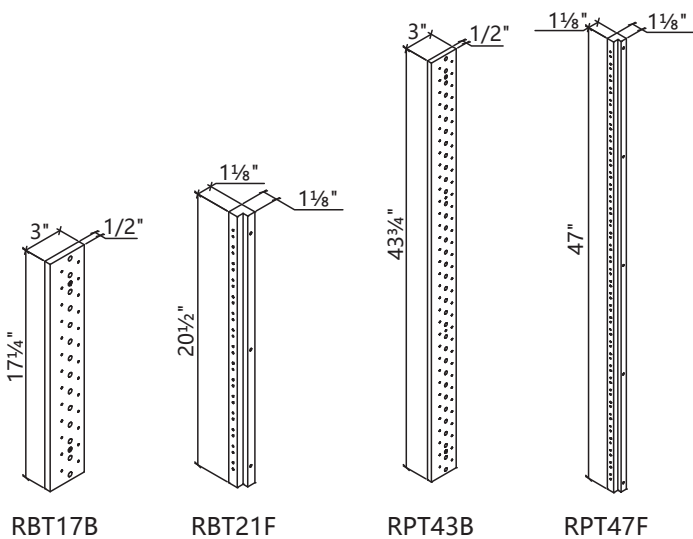
Item	W	H	D
BMD15	10	2 ³ / ₄	19 ³ / ₄
BMD18	13	2 ³ / ₄	19 ³ / ₄
BMD21	16	2 ³ / ₄	19 ³ / ₄
BMD24	19	2 ³ / ₄	19 ³ / ₄
BMD27	22	2 ³ / ₄	19 ³ / ₄
BMD30	25	2 ³ / ₄	19 ³ / ₄

Roll Out Tray



Item	W	H	D
ROT18	14 ³ / ₈	4 ¹ / ₄	21
ROT21	17 ³ / ₈	4 ¹ / ₄	21
ROT24	20 ³ / ₈	4 ¹ / ₄	21
ROT27	23 ³ / ₈	4 ¹ / ₄	21
ROT30	26 ³ / ₈	4 ¹ / ₄	21
ROT33	29 ³ / ₈	4 ¹ / ₄	21
ROT36	32 ³ / ₈	4 ¹ / ₄	21

Rot Support



Item	W	H	D
RBT17B	3	17 ¹ / ₄	1/2
RBT21F	1 ¹ / ₈	20 ¹ / ₂	1 ¹ / ₈
RPT43B	3	43 ³ / ₄	1/2
RPT47F	1 ¹ / ₈	47	1 ¹ / ₈

FEB. 2026